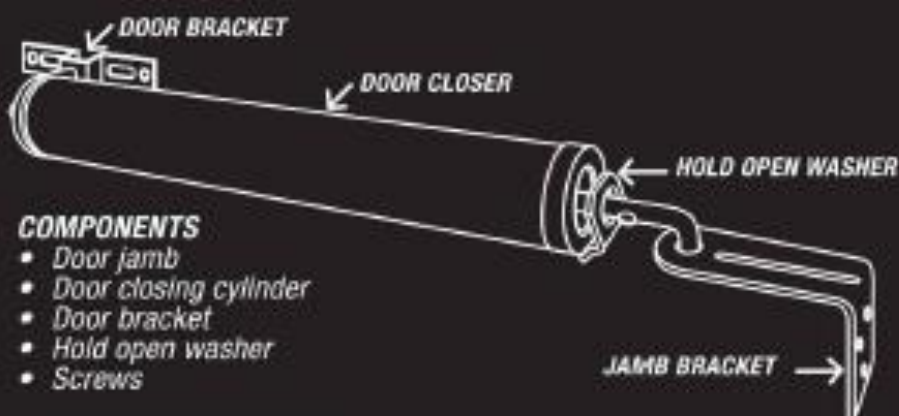




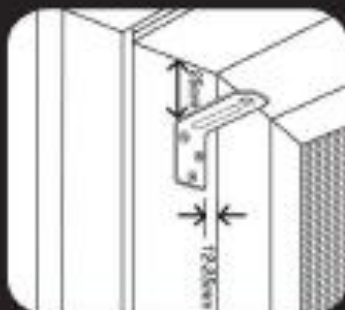
SCREEN DOOR CLOSER

ADJUSTABLE - INSTALLATION INSTRUCTIONS

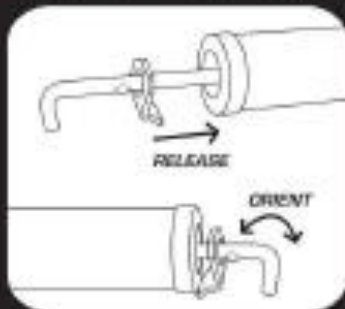


COMPONENTS

- Door jamb
- Door closing cylinder
- Door bracket
- Hold open washer
- Screws



CAUTION: Before installing door closer, make sure the door opens and closes freely. For outward opening doors, install closer on the inside of the door. For inward opening doors, install closer on the outside of the door. If replacing an existing door closer, ensure that all parts are replaced, including all mounting brackets and jamb brackets.



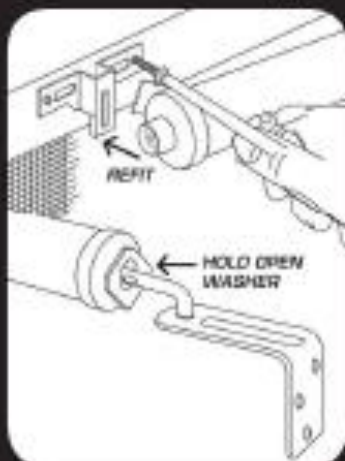
DOOR FRAME SET UP

- Hold jamb bracket up against door frame, ensuring there is a gap up to 25mm from top of door and a gap of 12-25mm from the door and jamb bracket. Ensuring closing cylinder is level and mark holes.
- Mark and drills holes and attach bracket to door frame using screws provided.



DOOR CLOSER SET UP

- To install hold open washer, slide out the rod, and slide the washer over and onto the rod.
- Place washer in a position in which it will hold the rod out and door open.
- Move washer into a position when it allows the rod to close freely.
- Place the end of the cylinder in the door bracket.



DOOR SET UP

- Position end of door closer into door bracket.
- Insert cylinder into door bracket, position door bracket with cylinder on door approximately 12-25mm from top of door, ensuring closing cylinder is level, and mark holes.
- Remove closer cylinder and drill marked holes.
- Replace cylinder and fasten with screws provided.
- To adjust speed of door closer, turn screw **CLOCKWISE** to slow down or **COUNTERCLOCKWISE** to speed up.

