

INSTRUCTIONS FOR INSTALLATION OF ENTRANCE LOCKS IN NEW DOORS OR THE REPLACEMENT OF EXISTING LOCKS

FOR USE ON DOORS 1-3/8" TO 1-3/4" (35mm~45mm) THICK

TOOLS REQUIRED FOR NEW INSTALLATION

- 1 phillips head screwdriver
- 1 2-1/8" (54mm) hole saw
- 1 1" (25.4mm) drill bit
- 1 13/64" (5mm) drill bit
- 1 chisel

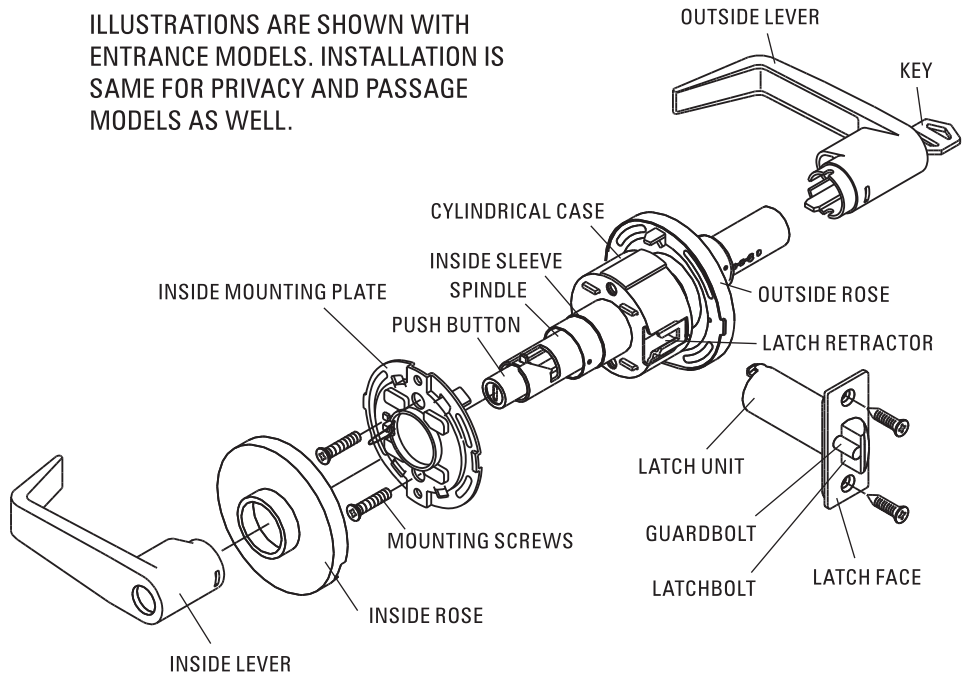
TOOLS REQUIRED FOR REPLACEMENT INSTALLATION:
1 phillips head screwdriver

ILLUSTRATIONS ARE SHOWN WITH ENTRANCE MODELS. INSTALLATION IS SAME FOR PRIVACY AND PASSAGE MODELS AS WELL.

FOLLOW ALL STEPS FOR REMODELING OR NEW CONSTRUCTION.

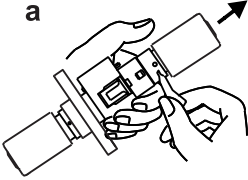
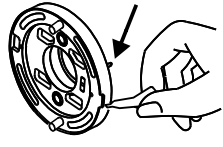
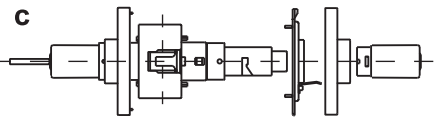
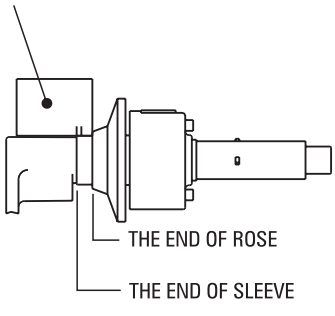
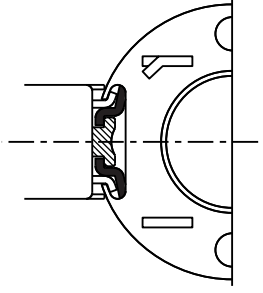
FOLLOW STEPS 3C, 4C, 5, 6, 7, 8 and 9 FOR DO-IT-YOURSELF REPLACEMENT AFTER REMOVAL OF EXISTING LOCK.

REPLACING EXISTING LOCKS:
Before beginning, measure from center of lock to door edge in order to check length of backset on existing lock. The backset length of new lock is stated clearly on front of package. If backset size is the same, you'll have to replace lock with proper size backset.



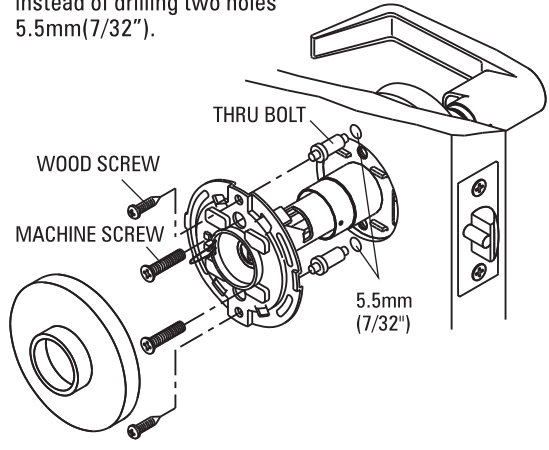
INSTALLATION INSTRUCTIONS

<p>1. MARK DOOR</p> <p>7/32" (5.5mm) HOLE</p> <p>MARK FOR 2-1/8" (54mm) HOLE ON DOOR FACE</p> <p>MARK FOR 1" (25.4mm) HOLE IN DOOR EDGE</p> <p>Start approximately 36" (914mm) from floor. Fold and apply template to edge of door and mark center hole and two 7/32" (5.5mm) holes on the back side door face through guide on template.</p> <p>(NOTE: Backset on door face must be same as backset of lock.)</p>		<p>2. DRILL HOLES</p> <p>7/32" (5.5mm) HOLE</p> <p>2-1/8" (54mm) HOLE</p> <p>1" (25.4mm)</p> <p>Drill 2-1/8" (54mm) hole through door face and two 7/32" (5.5mm) holes on the back side door face as marked for lockset.</p>	
<p>3. INSTALL LATCH</p>			
<p>A</p> <p>Insert latch in hole keeping it parallel to face of door. Mark outline and remove latch.</p>		<p>B</p> <p>Chisel 5/32" (4mm) deep or until latch face is flush with door edge.</p>	
<p>C</p> <p>Insert latch and tighten screws. (NOTE: Latchbolt bevel must face to closing direction.)</p> <p>Face plate will be flush with door edge after tighten the screws.</p>			
<p>4. INSTALL STRIKE</p>			
<p>A</p> <p>Close door until latchbolt touches jamb to locate strike in jamb and center line of strike. Open door and extend line from mark to door stop. Measure one half of door thickness from door stop and vertically mark drill point center for strike.</p>		<p>B</p> <p>Drill 1" (25.4mm) hole 1/2" (12.7mm) deep in door jamb on drill point for strike.</p> <p>CAUTION: To ensure proper lockset function. Hole in jamb must be drilled a full 1/2" (12.7mm) deep.</p>	
<p>C</p> <p>Cut out jamb 1/16" (1.5mm) deep for strike. Tighten screws.</p> <p>Guardbolt stops against strike, as illustrated, preventing forcing when door is closed. Adjustable tang on strike permits bending in or out to eliminate too loose fit between door and door stop.</p>		<p>GUARDBOLT</p> <p>STRIKE</p>	

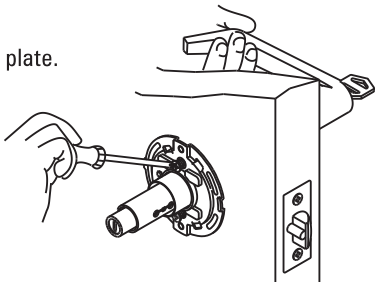
<p>5. REMOVE INSIDE TRIM</p> <p>Use nail end of wrench provided to depress inside lever catch in hole of inside sleeve collar and slide inside lever off spindle.</p>  <p>a</p> <p>Depress spring attached to inside rose. Insert nail end of wrench into slot to remove inside rose plate.</p>  <p>b</p>  <p>c</p> <p>Remove inside rose and mounting plate. *For communicating set ensure key is inserted in the north-south position</p>	<p>6. ADJUST OUTSIDE ROSE</p> <p>Adjust lock for door thickness with the scale gauge.</p> <p>The scale gauge should be used to close to lever to measure the thickness if fit the door.</p>  <p>THE END OF ROSE THE END OF SLEEVE</p>	<p>7. INSTALL LOCK</p> <p>Latch unit must be in place before installing lock. Be sure lock housing engages with latch prongs and retractor interlocks with latch tail.</p> 
--	--	---

8. INSTALL INSIDE ROSE

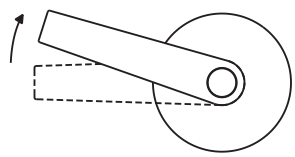
FOR WOODEN DOOR
Tighten machine screws securely to install mounting plate. Press rose onto mounting plate. Be sure to fit rose in recess of mounting plate.
Note : Drill 5.5mm(7/32") two holes and use the removable thru-bolts to install. Just use two wood screws and remove the two removable thru-bolts to install instead of drilling two holes 5.5mm(7/32").



THRU BOLT
WOOD SCREW
MACHINE SCREW
5.5mm (7/32")

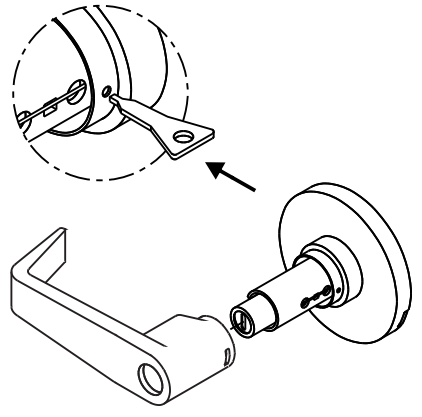


Before assembling the lockset with installing screws, please raise the lever a little and then tighten the screw. You will make sure the lever in the horizontal position.



9. INSTALLATION OF INSIDE LEVER

To install inside lever, press down the lever catch in the hole with wrench and push inside lever all the way in until catch clicks into catch hole.



*For communicating set ensure key is inserted in the north-south position

